

FP1100 Corded Telephone Owner's Manual



Visit our website at:
www.uniden.com.au
 for Australian model or
www.uniden.co.nz
 for New Zealand model

Important Safety Information

WARNING: TO PREVENT FIRE OR ELECTRICAL SHOCK HAZARD, DO NOT EXPOSE THIS PRODUCT TO RAIN OR MOISTURE.

CAUTION:
 RISK OF ELECTRIC SHOCK
 DO NOT OPEN
 CAUTION: TO REDUCE THE RISK OF ELECTRIC SHOCK, DO NOT REMOVE COVER (OR BACK). NO USER SERVICEABLE PARTS INSIDE. REFER SERVICING TO QUALIFIED SERVICE PERSONNEL.

Introduction

Your telephone is designed to give you flexibility in use and high quality performance. To get the most from your new telephone, we suggest that you take a few minutes right now to read through this instruction manual.

⚠ CAUTION: When using telephone equipment, there are basic safety instructions that should always be followed. Refer to the **IMPORTANT SAFETY INFORMATION** provided with this product and save them for future reference.

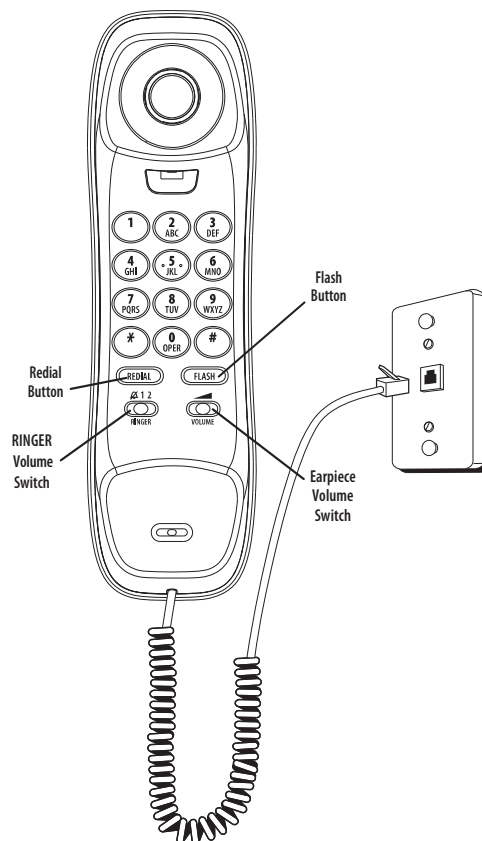
NOTE: This phone uses Touch-Tone dialing service only. For this telephone to function properly, you must use Touch-Tone service available through your local telephone company. Hearing Aid Compatibility (HAC).

Before You Begin

Important Installation Information

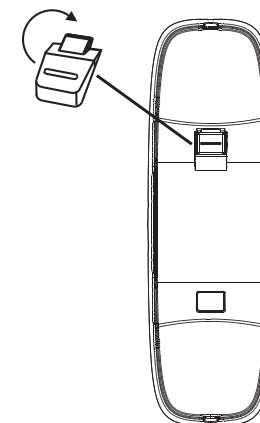
- Never install telephone wiring during a lightning storm.
- Never install telephone jacks in wet locations unless the jack is specifically designed for wet locations.
- Never touch non-insulated telephone wires or terminals, unless the telephone line has been disconnected at the network interface.
- Use caution when installing or modifying telephone lines.
- Temporarily disconnect any equipment connected to the phone such as faxes, other phones, or modems.

Handset Layout



NOTE: To prevent the handset from falling out of the cradle while the phone is hanging on the wall, you must reverse the handset hook (located on the base).

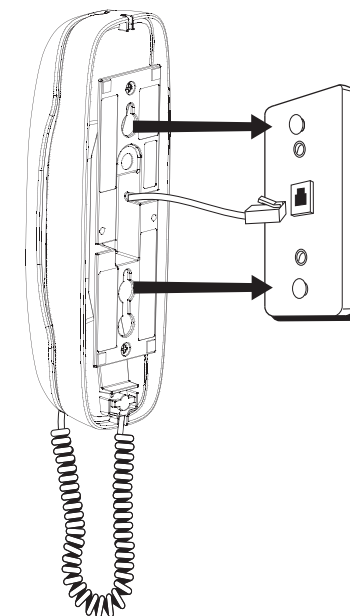
1. Push the handset hook up and out of the slot on the base with your thumb, rotate the hook 180°, and replace it back in the slot.
2. Plug the telephone line cord into a modular wall phone jack.
3. Slip the mounting holes on the base over the wall plate posts and firmly slide the unit down into place (wall plate not included).



Installing the Phone

Your telephone should be placed on a level surface such as a desk or table top, or you can mount it on a wall. A desktop/wall mounting pedestal is built into the base of the phone.

1. Slide the RINGER volume switch (on the handset) to the desired volume.
2. Set the earpiece volume switch (on the handset) to the desired listening volume.
3. Plug the telephone line cord into a modular wall phone jack.
4. Store the extra cord in the grooves in the base.



Wall Mount Installation

Your telephone may also be mounted on a wall plate (not included).

Telephone Operation

Redial

This unit redials up to 32 digits. To automatically redial the last number you called:

1. Pick up the handset and wait for a dial tone.
2. Press the redial button.

Flash - Call Waiting

If the call waiting tone sounds while you are on a call -

Australia: Press **flash** then **2** to switch between callers.

New Zealand: Press the **flash** button to switch between callers.



NOTE

For 'Call Waiting' to operate you must subscribe to this service through your local telephone company. If you do not have this service, then pressing the flashing button during a call may disconnect the caller.

Earpiece Volume

You may control the listening level with the volume switch on the bottom of the handset. It has 3 levels: lo, mid, and high.

Ringer Volume

You may control the ringer volume level with the switch located above the touch tone pad on the handset.

- ▲ = ringer tone will be loud
- △ = ringer tone will be low
- ✖ = telephone will not ring

Troubleshooting Tips

No dial tone.

- Press and release the hook switch. Check the hook switch: Does it fully extend when the handset is lifted from the cradle?

Phone doesn't ring.

- Make sure RINGER switch (located on the handset) is set to loud or low.

- Are you using too many phones on one line? (The total REN of all phones on the same line should not be greater than the maximum REN for your calling area. REN number is located on the cabinet bottom).

Other party cannot hear you.

- Make sure phone cord is securely plugged in.
- Make sure extension phones are on the hook at the same time you're using the phone. It is normal for the volume to drop when additional extension phones are used at the same time.
- This is normal feedback due to handset volume level being set to maximum.

General Product Care

To keep your telephone working and looking good, follow these guidelines:

- Avoid putting the phone near heating appliances and devices that generate electrical noise (for example, motors or fluorescent lamps).
- DO NOT expose to direct sunlight or moisture.
- Avoid dropping and other rough treatment to the phone.
- Clean with a soft cloth.
- Never use a strong cleaning agent or abrasive powder because this will damage the finish.
- Retain the original packaging in case you need to ship the phone at a later date.

One-year limited warranty

UNIDEN FP1 100 Corded Telephone

IMPORTANT: Satisfactory evidence of the original purchase is required for warranty service

Please refer to our Uniden website for any details or warranty durations offered in addition to those contained below.

Warrantor: The warrantor is either Uniden Australia Pty Limited ABN 58 001 865 498 ("Uniden Aust") or Uniden New Zealand Limited ("Uniden NZ") as the case may be.

Terms of Warranty: Uniden Aust/NZ warrants to the original retail purchaser only that the FP1100 ("the Product"), will be free from defects in materials and craftsmanship for the duration of the warranty period, subject to the limitations and exclusions set out below.

Warranty period: This warranty to the original retail purchaser is only valid in the original country of purchase for a Product first purchased either in Australia or New Zealand and will expire one (1) year from the date of the original retail sale.

If a warranty claim is made, this warranty will not apply if the Product is found by Uniden to be:

- (A) Damaged or not maintained in a reasonable manner or as recommended in the relevant Uniden Owner's Manual;
- (B) Modified, altered or used as part of any conversion kits, subassemblies or any configurations not sold by Uniden Aust or Uniden NZ;
- (C) Improperly installed contrary to instructions contained in the relevant Owner's Manual
- (D) Repaired by someone other than an authorized Uniden Repair Agent in relation to a defect or malfunction covered by this warranty; or
- (E) Used in conjunction with any equipment, parts or a system not manufactured by Uniden.

Parts Covered: This warranty covers the Product and included accessories.

User-generated Data: This warranty does not cover any claimed loss of or damage to user-generated data (including but without limitation phone numbers, addresses and images) that may be stored on your Product.

Statement of Remedy: If the Product is found not to conform to this warranty as stated above, the Warrantor, at its discretion, will either repair the defect or replace the Product without any charge for parts or service. This warranty does not include any reimbursement or payment of any consequential damages claimed to arise from a Product's failure to comply with the warranty.

Our goods come with guarantees that cannot be excluded under the Australian Consumer Law. You are entitled to a replacement or refund for a major failure and for compensation for any other reasonably foreseeable loss or damage. You are also entitled to have the goods repaired or replaced if the goods fail to be of acceptable quality and the failure does not amount to a major failure.

This warranty is in addition to and sits alongside your rights under either the COMPETITION AND CONSUMER ACT 2010 (Australia) or the CONSUMER GUARANTEES ACT (New Zealand) as the case may be, none of which can be excluded.

Procedure for obtaining warranty service:

Depending on the country in which the Product was first purchased, if you believe that your Product does not conform with this warranty, you should deliver the Product, together with satisfactory evidence of your original purchase (such as a legible copy of the sales docket) to Uniden at the addresses shown below. You should contact Uniden regarding any compensation that may be payable for your expenses incurred in making a warranty claim. Prior to delivery, we recommend that you make a backup copy of any phone numbers, images or other data stored on your Product, in case it is lost or damaged during warranty service.

UNIDEN AUSTRALIA PTY LTD

Service Division
345 Princes Highway,
Rockdale, NSW 2216
Phone: 1300 366 895
Email: custservice@uniden.com.au

UNIDEN NEW ZEALAND LTD

Service Division
150 Harris Road, East Tamaki
Auckland 2013
Phone: (09) 273 8377
Email: service@uniden.co.nz